

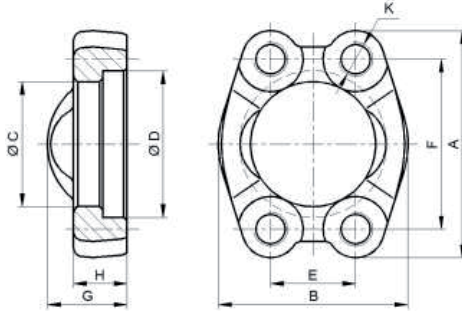
法兰接头

SAE 法兰系列 / SAE-flange Series

VFM SAE 带螺纹孔的整体法兰 / VFM SAE Flange Clamps with Tapped Holes

VFM SAE 带螺纹孔的整体压板法兰

VFM SAE Flange Clamps with Tapped Holes



订货代号示例:

通径 DN25 (1"), 碳钢材料,
6000 psi 系列的 VFM 型带螺孔的
SAE 整体法兰订货代号应为:

VFM 6003 / ST

Ordering Example:

The ordering code for DN25 (1"),
6000 psi, carbon steel
made VFM SAE flange clamps should be:

VFM 6003 / ST

公称规格 Nominal Size		型式代号 Type Code	最高工作压力 Max. Pressure	尺寸 Dimensions									螺栓规格 Screws	重量 Weight
mm	in.		bar	A	B	C	D	E	F	G	H	K	M	kg
		3000 psi	ISO6162-1/SAE J518C-61											
16	1/2"	VFM 3001	350	54.1	46.0	24.3	31.0	17.5	38.1	19	13	M8	M8	0.15
19	3/4"	VFM 3002	350	65.6	52.0	32.1	38.9	22.3	47.6	22	14	M10	M10	0.17
25	1"	VFM 3003	350	70.4	59.5	38.5	45.3	26.2	52.4	24	16	M10	M10	0.22
32	1 1/4"	VFM 3004	250	78.7	73.0	43.7	51.6	30.2	58.7	24	16	M10	M10	0.30
38	1 1/2"	VFM 3005	200	93.9	83.0	50.8	61.1	35.7	69.9	25	16	M12	M12	0.45
51	2"	VFM 3006	200	101.8	97.0	62.7	72.2	42.9	77.8	26	16	M12	M12	0.50
64	2 1/2"	VFM 3007	160	114.9	109.0	74.9	84.9	50.8	88.9	38	19	M12	M12	0.74
76	3"	VFM 3008	100	134.4	131.0	90.9	102.4	61.9	106.4	41	22	M16	M16	1.30
		6000 psi	ISO6162-2/SAE J518C-62											
16	1/2"	VFM 6001	420	56.5	48.0	24.6	32.5	18.2	40.5	22	16	M10	M8	0.16
19	3/4"	VFM 6002	420	70.8	60.0	32.5	42.1	23.8	50.8	28	19	M12	M10	0.35
25	1"	VFM 6003	420	81.2	70.0	38.9	48.4	27.8	57.2	33	24	M10	M12	0.53
32	1 1/4"	VFM 6004	420	94.6	78.0	44.5	54.8	31.8	66.6	38	27	M14	M14	0.80
38	1 1/2"	VFM 6005	350	113.3	95.0	51.6	64.3	35.5	79.3	43	30	M16	M16	1.35
51	2"	VFM 6006	350	132.8	114.0	67.6	80.2	44.5	96.8	52	37	M20	M20	2.10